



P Series

Applicable Specs.: MIL-C-5501/5

| Caplug No. | To Fit Thread Size | Dimensions | | | | | | Packaging | | | Caplug No. | |
|------------|--------------------|------------|-------|------|-------|------|-------|-------------------------------|------|-------------------|------------|---------------|
| | | A | | B | | C | | Standard Carton | | Mini Pak Quantity | | |
| | | in | mm | in | mm | in | mm | Shipping Wt. (Approx.) lbs | kgs | | | No. of Pieces |
| P-18 | 1/8" NPT | 0.44 | 11.18 | 0.28 | 7.11 | - | - | 10 | 4.5 | 5000 | 1000 | P-18 |
| P-28 | 1/4" NPT | 0.50 | 12.70 | 0.37 | 9.40 | - | - | 16 | 7.2 | 5000 | 1000 | P-28 |
| P-38 | 3/8" NPT | 0.56 | 14.22 | 0.44 | 11.18 | - | - | 24 | 10.8 | 5000 | 1000 | P-38 |
| P-48 | 1/2" NPT | 0.59 | 14.99 | 0.56 | 14.22 | - | - | 18 | 8.1 | 2500 | 500 | P-48 |
| P-108 | 1 1/4" NPT | 0.75 | 19.05 | 0.75 | 19.05 | - | - | 18 | 8.1 | 800 | 160 | P-108 |
| P-68H | 3/4" NPT | 0.62 | 15.75 | 0.62 | 15.75 | 0.25 | 6.35 | 11 | 4.9 | 1000 | 200 | P-68H |
| P-88H | 1" NPT | 0.72 | 18.29 | 0.81 | 20.57 | 0.31 | 7.87 | 16 | 7.2 | 1000 | 200 | P-88H |
| P-68V | 3/4" NPT | 0.62 | 15.75 | 0.50 | 12.70 | - | - | 12 | 5.4 | 1000 | 200 | P-68V |
| P-18B | 1/8" NPT | 0.56 | 14.22 | 0.27 | 6.85 | 0.58 | 14.73 | 17 | 7.6 | 5000 | 1000 | P-18B |
| P-28B | 1/4" NPT | 0.74 | 18.80 | 0.37 | 9.39 | 0.68 | 17.27 | 13 | 5.8 | 5000 | 1000 | P-28B |
| P-38B | 3/8" NPT | 0.83 | 21.08 | 0.33 | 8.38 | 0.71 | 10.03 | 10 | 4.5 | 2500 | 500 | P-38B |
| P-48B | 1/2" NPT | 1.04 | 26.42 | 0.56 | 14.22 | 0.94 | 23.88 | 10 | 4.5 | 1000 | 200 | P-48B |
| P-68B | 3/4" NPT | 1.31 | 33.28 | 0.63 | 16.00 | 1.04 | 26.42 | 13 | 5.8 | 1000 | 200 | P-68B |
| P-48C | 1/2" -14 NPT | 1.04 | 26.41 | 0.50 | 12.70 | 0.94 | 23.87 | 18 | 8.1 | 3000 | 600 | P-48C |
| P-68VH | 3/4" NPT | 0.50 | 12.70 | 0.31 | 7.87 | - | - | 19 | 8.6 | 2500 | 500 | P-68VH |



PLUGS threaded

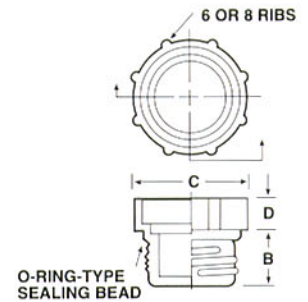
PDO Series Plastic Threaded Plugs for SAE O-Ring Ports



Series PDO Plugs provide positive sealing for SAE straight-threaded O-ring-type ports and MIL-MS-33649 bosses on fluid power components. Integral O-ring type bead seats in the level of the port to prevent oil leakage or entrance of contaminants. Seal at outside of knurl protects port face against paint and dirt.



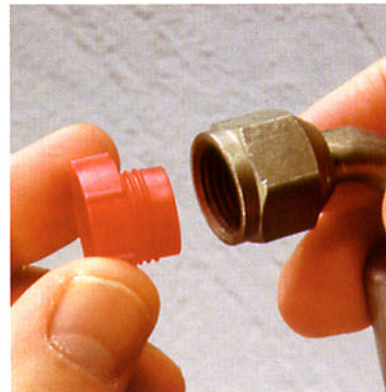
MATERIAL: High Density Polyethylene
COLOR*: Red



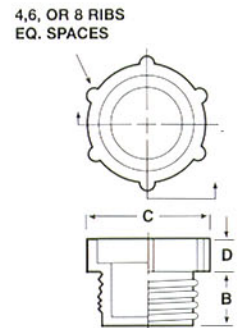
PDI Series Threaded Plastic Plugs for Inverted Flared Fittings



Series PDI Plugs are made for use on inverted flared fittings. Knurled for ease of application, they will seal with light finger tightening. Series PDI Plugs will seal boss type fittings without gaskets.



MATERIAL: Low Density Polyethylene
COLOR*: Red



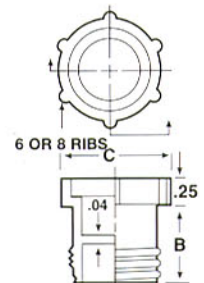
PDE Series Plastic Threaded Plugs for Flareless Tube and Nut Assemblies



Knurled for ease of application, Series PDE Plugs are designed to fit MS-21921 tube and nut assemblies interchangeably. They can be installed with light finger tightening to seal beyond normal requirements.



MATERIAL: Low Density Polyethylene
COLOR*: Red



threaded PLUGS



PDO Series

| Caplug No. | Dimensions | | | | | | | Packaging | | | | Caplug No. |
|------------|-----------------------|------|-------|------|------|------|------|-------------------------------|-----|----------------------|------------------|------------|
| | To Fit Thread Size | B | | C | | D | | Standard Carton | | Mini Pak Quantity | | |
| | | in | mm | in | mm | in | mm | Shipping Wt. (Approx.) lbs | kgs | | No. of Pieces | |
| PDO-104 | 7/16-20 | 0.32 | 8.13 | 0.65 | 16.5 | 0.38 | 9.65 | 11 | 4.9 | 5000 | 1000 | PDO-104 |
| PDO-105 | 1/2-20 | 0.32 | 8.13 | 0.72 | 18.2 | 0.38 | 9.65 | 12 | 5.4 | 5000 | 1000 | PDO-105 |
| PDO-106 | 9/16-18 | 0.36 | 9.14 | 0.78 | 19.8 | 0.38 | 9.65 | 15 | 6.8 | 5000 | 1000 | PDO-106 |
| PDO-108 | 3/4-16 | 0.40 | 10.16 | 0.98 | 24.8 | 0.38 | 9.65 | 11 | 4.9 | 2500 | 500 | PDO-108 |
| PDO-110 | 7/8-14 | 0.45 | 11.43 | 1.11 | 28.2 | 0.38 | 9.65 | 13 | 5.8 | 2500 | 500 | PDO-110 |
| PDO-112 | 1 1/16-12 | 0.62 | 15.75 | 1.31 | 33.2 | 0.38 | 9.65 | 19 | 8.6 | 2500 | 500 | PDO-112 |
| PDO-116 | 1 5/16-12 | 0.62 | 15.75 | 1.56 | 39.6 | 0.38 | 9.65 | 11 | 4.9 | 1000 | 200 | PDO-116 |
| PDO-120 | 1 5/8-12 | 0.62 | 15.75 | 1.88 | 47.7 | 0.38 | 9.65 | 11 | 4.9 | 1000 | 200 | PDO-120 |

Applicable Specs.: MIL-C-52078

PDI Series

| Caplug No. | Dimensions | | | | | | | Packaging | | | | Caplug No. |
|------------|-----------------------|------|-------|------|------|------|------|-------------------------------|-----|----------------------|------------------|------------|
| | To Fit Thread Size | B | | C | | D | | Standard Carton | | Mini Pak Quantity | | |
| | | in | mm | in | mm | in | mm | Shipping Wt. (Approx.) lbs | kgs | | No. of Pieces | |
| PDI-21 | 5/16-28 | 0.22 | 5.59 | 0.44 | 11.2 | 0.19 | 4.83 | 5 | 2.2 | 5000 | 1000 | PDI-21 |
| PDI-31 | 3/8-24 | 0.25 | 6.35 | 0.50 | 12.7 | 0.19 | 4.83 | 6 | 2.7 | 5000 | 1000 | PDI-31 |
| PDI-41 | 7/16-24 | 0.27 | 6.86 | 0.63 | 16.0 | 0.19 | 4.83 | 8 | 3.6 | 5000 | 1000 | PDI-41 |
| PDI-51 | 1/2-20 | 0.28 | 7.11 | 0.69 | 17.5 | 0.25 | 6.35 | 11 | 4.9 | 5000 | 1000 | PDI-51 |
| PDI-66 | 5/8-18 | 0.31 | 7.87 | 0.81 | 20.6 | 0.25 | 6.35 | 13 | 5.8 | 5000 | 1000 | PDI-66 |
| PDI-69 | 1 1/16-18 | 0.31 | 7.87 | 0.87 | 22.1 | 0.25 | 6.35 | 15 | 6.8 | 5000 | 1000 | PDI-69 |
| PDI-81 | 3/4-18 | 0.38 | 9.65 | 0.87 | 22.1 | 0.25 | 6.35 | 17 | 7.6 | 5000 | 1000 | PDI-81 |
| PDI-122 | 1 1/16-16 | 0.43 | 10.92 | 1.19 | 30.2 | 0.25 | 6.35 | 14 | 6.3 | 2500 | 500 | PDI-122 |

PDE Series

| Caplug No. | Dimensions | | | | | | | Packaging | | | | Caplug No. |
|------------|-----------------------|------|-------|------|------|----|----|-------------------------------|-----|----------------------|------------------|------------|
| | To Fit Thread Size | B | | C | | D | | Standard Carton | | Mini Pak Quantity | | |
| | | in | mm | in | mm | in | mm | Shipping Wt. (Approx.) lbs | kgs | | No. of Pieces | |
| PDE-3 | 3/8-24 | 0.35 | 8.89 | 0.56 | 12.7 | | | 8 | 3.6 | 5000 | 1000 | PDE-3 |
| PDE-4 | 7/16-20 | 0.40 | 10.16 | 0.56 | 14.2 | | | 9 | 4 | 5000 | 1000 | PDE-4 |
| PDE-5 | 1/2-20 | 0.46 | 11.68 | 0.63 | 16.0 | | | 11 | 4.9 | 5000 | 1000 | PDE-5 |
| PDE-6 | 9/16-18 | 0.48 | 12.19 | 0.68 | 17.2 | | | 13 | 5.8 | 5000 | 1000 | PDE-6 |
| PDE-8 | 3/4-16 | 0.54 | 13.72 | 0.87 | 22.1 | | | 18 | 8.1 | 5000 | 1000 | PDE-8 |
| PDE-10 | 7/8-14 | 0.62 | 15.75 | 1.00 | 25.4 | | | 12 | 5.4 | 2500 | 500 | PDE-10 |
| PDE-12 | 1 1/16-12 | 0.64 | 16.26 | 1.25 | 31.7 | | | 6 | 2.7 | 1000 | 200 | PDE-12 |
| PDE-16 | 1 5/16-12 | 0.72 | 18.29 | 1.50 | 38.1 | | | 9 | 4 | 1000 | 200 | PDE-16 |



PLUGS threaded

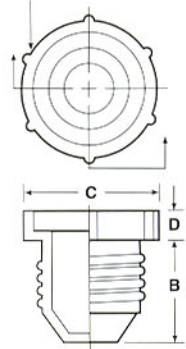
PD Series Threaded Plastic Plugs for Flared JIC Fittings

Series PD Plugs, designed for use on flared JIC fittings, are knurled for ease of application. They will seal low pressure requirements with light finger tightening. PD Plugs can be used to seal 37° flare fittings without gaskets.



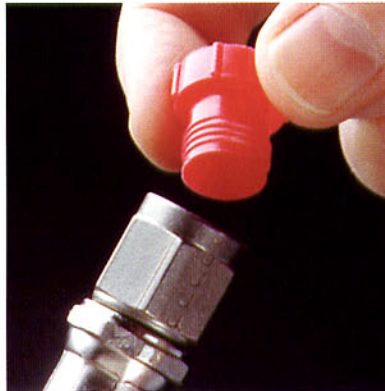
MATERIAL: Low Density Polyethylene
COLOR*: Red

4, 6, OR 8 RIBS
EQUALLY SPACED

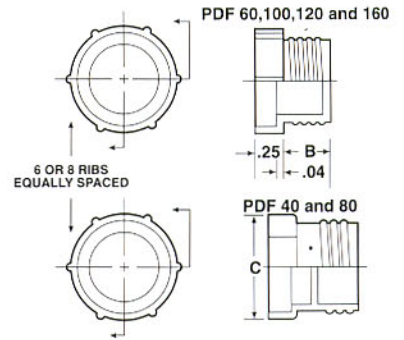


PDF Series Threaded Plastic Plugs for Flat-Faced O-Ring Hydraulic Fittings

Series PDF Plugs are designed for easy mechanical or hand installation on flat-faced O-ring fittings.

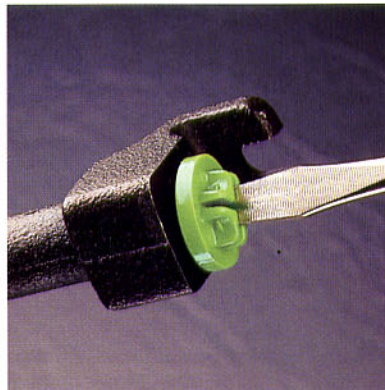


MATERIAL: Low Density Polyethylene
COLOR*: Red

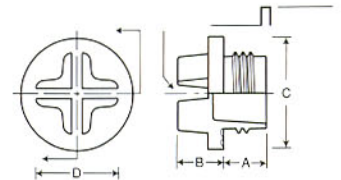


MSP Series Slotted-Head Plastic Plugs For Metric-Threaded Ports

Series MSP Plugs feature two concentric, raised rings on the underside of the flange to provide positive sealing around metric-threaded ports. A cross-slotted head makes it easy to tighten with a screwdriver.



MATERIAL: High Density Polyethylene
COLOR*: Green



threaded PLUGS



PD Series

Applicable Specs.: MIL-C-5501/1 (MIL-C-52078, NAS-815), NAS-833

| Caplug No. | Dimensions | | | | | | | | Packaging | | | | Caplug No. |
|------------|---------------------|-----------------------|------|------|------|-------|------|------|------------------------|-----|----------------------|------|------------|
| | To Fit Tube Size | To Fit Thread Size | B | | C | | D | | Standard Carton | | Mini Pak Quantity | | |
| | | | in | mm | in | mm | in | mm | Shipping Wt. (Approx.) | | | | |
| lbs | kgs | Pieces | | | | | | | | | | | |
| PD-20 | 1/8 | 5/16-24 | 0.44 | 11.2 | 0.44 | 11.18 | 0.18 | 4.57 | 5 | 2.2 | 5000 | 1000 | PD-20 |
| PD-30 | 3/16 | 3/8-24 | 0.46 | 11.7 | 0.50 | 12.70 | 0.18 | 4.57 | 7 | 3.1 | 5000 | 1000 | PD-30 |
| PD-40 | 1/4 | 7/16-20 | 0.53 | 13.5 | 0.62 | 15.75 | 0.19 | 4.83 | 9 | 4 | 5000 | 1000 | PD-40 |
| PD-50 | 5/16 | 1/2-20 | 0.53 | 13.5 | 0.68 | 17.27 | 0.25 | 6.35 | 12 | 5.4 | 5000 | 1000 | PD-50 |
| PD-60 | 3/8 | 9/16-18 | 0.50 | 12.7 | 0.81 | 20.57 | 0.25 | 6.35 | 13 | 5.8 | 5000 | 1000 | PD-60 |
| PD-65 | 3/8 | 5/8-18 | 0.59 | 15.0 | 0.81 | 20.57 | 0.25 | 6.35 | 16 | 7.2 | 5000 | 1000 | PD-65 |
| PD-80 | 1/2 | 3/4-16 | 0.75 | 19.1 | 0.94 | 23.88 | 0.25 | 6.35 | 12 | 5.4 | 2500 | 500 | PD-80 |
| PD-100 | 5/8 | 7/8-14 | 0.87 | 22.1 | 1.06 | 26.93 | 0.25 | 6.35 | 16 | 7.2 | 2500 | 500 | PD-100 |
| PD-120 | 3/4 | 1 1/16-12 | 0.89 | 22.6 | 1.25 | 31.75 | 0.25 | 6.35 | 21 | 9.4 | 2500 | 500 | PD-120 |
| PD-121 | 3/4 | 1 1/16-14 | 1.12 | 28.5 | 1.31 | 33.28 | 0.25 | 6.35 | 10 | 4.5 | 1000 | 200 | PD-121 |
| PD-140 | 7/8 | 1 3/16-12 | 0.93 | 23.6 | 1.40 | 35.56 | 0.25 | 6.35 | 21 | 9.4 | 2500 | 500 | PD-140 |
| PD-160 | 1 | 1 5/16-12 | 0.93 | 23.6 | 1.50 | 38.10 | 0.25 | 6.35 | 10 | 4.5 | 1000 | 200 | PD-160 |
| PD-180 | - | 1 1/2-12 | 0.93 | 23.6 | 1.75 | 44.45 | 0.25 | 6.35 | 13 | 5.8 | 1000 | 200 | PD-180 |
| PD-200 | 1 1/4 | 1 5/8-12 | 0.93 | 23.6 | 2.00 | 50.80 | 0.25 | 6.35 | 15 | 6.8 | 1000 | 200 | PD-200 |
| PD-220 | - | 1 3/4-12 | 0.95 | 24.1 | 2.19 | 55.63 | 0.25 | 6.35 | 17 | 7.6 | 1000 | 200 | PD-220 |
| PD-240 | 1 1/2 | 1 7/8-12 | 1.15 | 29.2 | 2.31 | 58.68 | 0.31 | 7.87 | 12 | 5.4 | 500 | 100 | PD-240 |
| PD-280 | 1 3/4 | 2 1/4-12 | 1.31 | 33.3 | 2.63 | 66.80 | 0.31 | 7.87 | 18 | 8.1 | 500 | 100 | PD-280 |
| PD-320 | 2 | 2 1/2-12 | 1.31 | 33.3 | 2.94 | 74.68 | 0.31 | 7.87 | 19 | 8.6 | 500 | 100 | PD-320 |

PDF Series

| Caplug No. | Dimensions | | | | | | | Packaging | | | | Caplug No. |
|----------------|---------------------|-----------------------|------|-------|------|-------|------------------------|-----------|----------------------|------|----------------|------------|
| | To Fit Tube Size | To Fit Thread Size | B | | C | | Standard Carton | | Mini Pak Quantity | | | |
| | | | in | mm | in | mm | Shipping Wt. (Approx.) | | | | | |
| lbs | kgs | Pieces | | | | | | | | | | |
| PDE-6 (PDF-40) | 1/4 | 9/16-18 | 0.48 | 12.19 | 0.68 | 17.27 | 13 | 5.8 | 5000 | 1000 | PDE-6 (PDF-40) | |
| PDF-60 | 3/8 | 11/16-16 | 0.44 | 11.18 | 0.87 | 22.10 | 15 | 6.8 | 5000 | 1000 | PDF-60 | |
| PDF-80 | 1/2 | 13/16-16 | 0.50 | 12.70 | 0.94 | 23.88 | 19 | 8.6 | 5000 | 1000 | PDF-80 | |
| PDF-100 | 5/8 | 1-14 | 0.59 | 14.99 | 1.16 | 29.47 | 12 | 5.4 | 2500 | 500 | PDF-100 | |
| PDF-120 | 3/4 | 1 3/16-12 | 0.63 | 16.00 | 1.33 | 33.78 | 15 | 6.8 | 2500 | 500 | PDF-120 | |
| PDF-160 | 1 | 1 7/16-12 | 0.75 | 19.05 | 1.63 | 41.40 | 10 | 4.5 | 1000 | 200 | PDF-160 | |

MSP Series

| Caplug No. | Dimensions | | | | | | | | | Packaging | | | | Caplug No. |
|------------|-----------------------|--------|------|-----|------|-----|-------|-----|-------|------------------------|-----|----------------------|-----|------------|
| | To Fit Thread Size | A | | B | | C | | D | | Standard Carton | | Mini Pak Quantity | | |
| | | in | mm | in | mm | in | mm | in | mm | Shipping Wt. (Approx.) | | | | |
| lbs | kgs | Pieces | | | | | | | | | | | | |
| MSP-14x1.5 | 14mmx1.5mm | .33 | 8.30 | .32 | 8.20 | .86 | 21.80 | .59 | 15.00 | 17 | 7.7 | 4000 | 800 | MSP-14x1.5 |
| MSP-16x1.5 | 16mmx1.5mm | .33 | 8.50 | .24 | 9.00 | .86 | 21.80 | .63 | 16.00 | 17 | 7.7 | 4000 | 800 | MSP-16x1.5 |